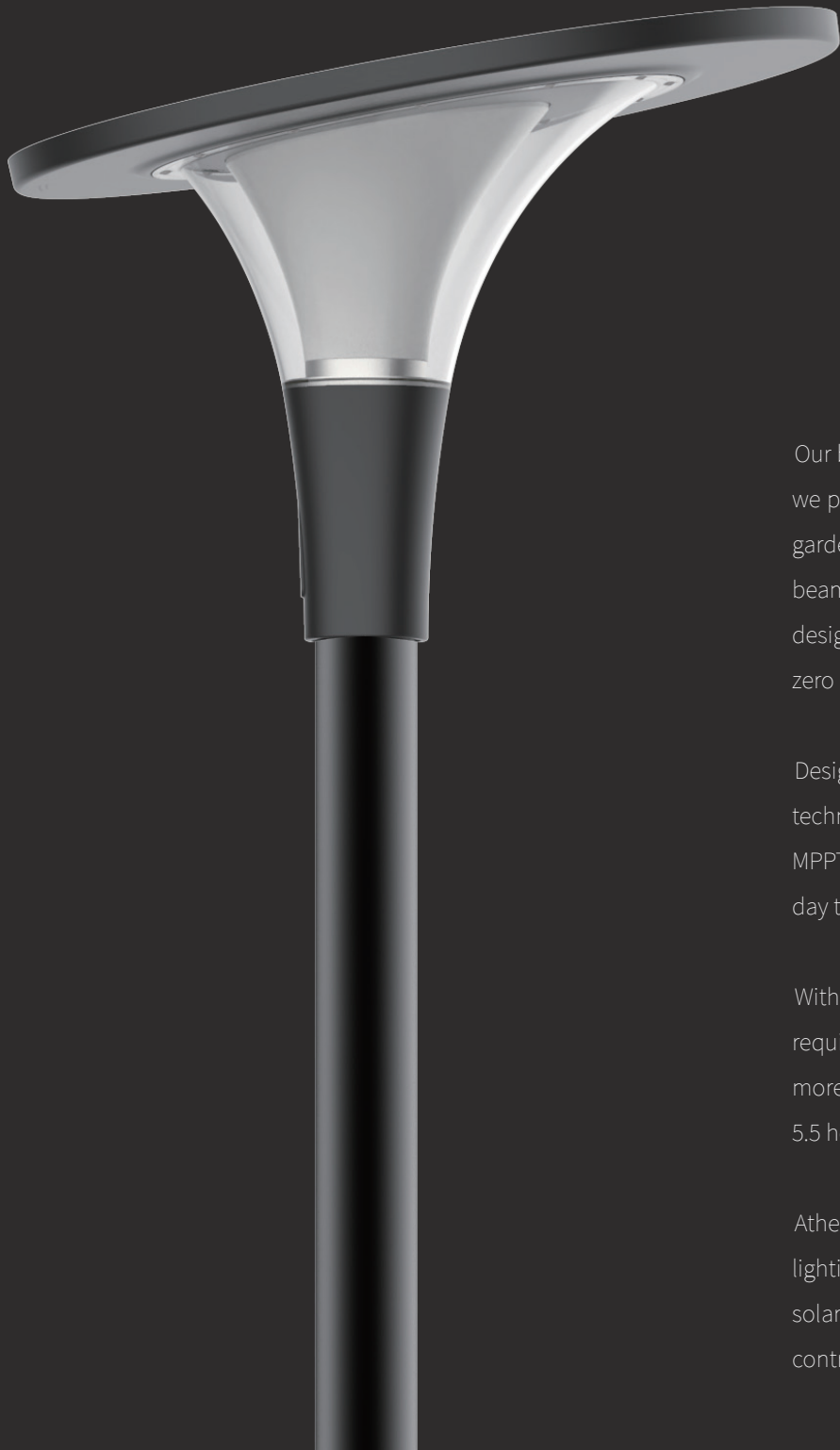


# A<sup>i</sup>HENA

---

## SOLAR GARDEN LIGHT





# Athena

---

## SOLAR GARDEN LIGHT

Our backyards and gardens are places of relaxation and close to our hearts, and with the same passion, we present Athena as the most advanced solar garden light for your nature-friendly living. Athena solar garden light efficiently illuminates your recreational living areas, gardens, and pathways with 360-degree beam, glare-free lighting in solar energy, and stand-alone off-grid functioning. Athena is aesthetically designed for comfortable living but elegant styling suitable for home and hospitality applications with zero operational costs.

Designed with a simplified cosmetic appearance, Athena is a great combination with the latest technology of lithium battery, solar panel, and smart control system. High-efficiency 42W solar panel and MPPT solar charge controllers are adopted to ensure sufficient electrical power could be generated every day to ensure the luminaire work stably without blackout all year round.

With the built-in lighting programs, the lighting power and working time could be easily adjusted as required via the remote control. The light can also work in motion detecting mode which will help to save more energy. Athena is a suitable solar pedestrian light to work perfectly no matter in gulf countries with 5.5 hours of valid sunshine or in north Europe with 2.5 hours of valid sunshine.

Athena solar garden light is highly customizable via the remote control in terms of color temperatures, lighting power and working time to match the garden atmosphere. Auroras's decade of experience in solar lighting technologies makes athena as the perfect choice for home users and project customers, contributing to the green energy and reduce carbon footprints.

# True Quality Deserves Trust



Remote  
Setting



3000 Cycles  
LifePO4 Battery



LED Power  
Adjustable



Dual CCT  
Changeable



Motion Sensor  
Detection



Dusk to Dawn  
Auto ON/OFF



IP65  
Waterproof

# Key Feature

## ALUMINIUM FIXTURE

High-end surface treatment on aluminium body, no possibility to get about rust or oxidation even after long-term use, Always maintain the original color as brand new appearance.

## MILKY DIFFUSER

Up to 93% high light transmittance diffuser enable the light output with more uniform and soft performance without glare and more elegant.

## ULTRA LUMINOUS

180lm/Watts high luminous efficiency, Color temperature is changeable between 3000K and 6000K ( or 4000K), brightness is adjustable between 20%~100% freely as required.

## DRAINAGE HOLES

With professional design of the structure, water will leak out from these drainage holes even if rainwater enters the interior of the lamp body, it will not affect the light performance at all.

## MONOCRYSTALLION PV

Efficiency 21.5% mono solar panel is equipped to generate electricity power continuously and keep the system working stably.

## LITHIUM BATTERY PACK

Up to 3000 cycles D.O.D 70% lithium battery is built-in. Ensuring system running up to 8 years without any maintenance. Battery capacity : 154WH composed by brand new 32700 cell.

## 2.4G REMOTE

2.4G remote control has a longer control distance and 360 degree signal transmission. Its functions contain to set the light power, select the color temperature and the working hours.

## PROGRAMMABLE

The lighting time could be programmed as 6 hours 8 hours and 12 hours, also CCT is switchable between warm white and cool white. All operations can be done via a 2.4G remote control.

## TRANSPARENT COVER

Strong and transparent polycarbonate cover protects the milky optics from any damage and blocks ways insects entering, keep inside of the light always neat and easy to clean

## MPPT CHARGER+SENSOR

Microwave sensor is built inside, motion detection mode is available by remote control, More energy could be saved. MPPT charge controller are adopted ,30% power will be generated than using PWM controller.

## ANTI-THEFT SCREW

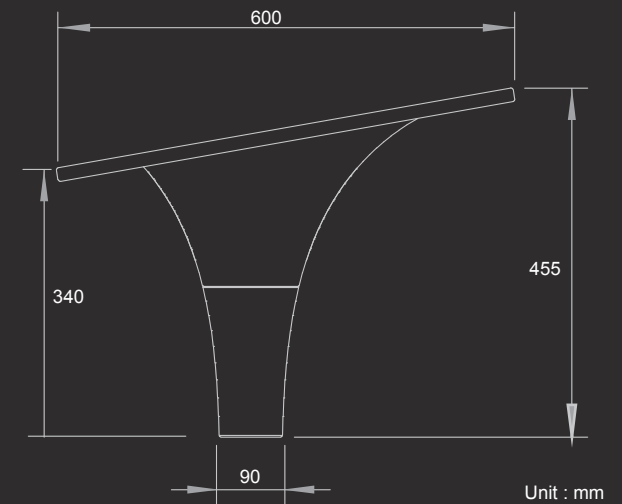
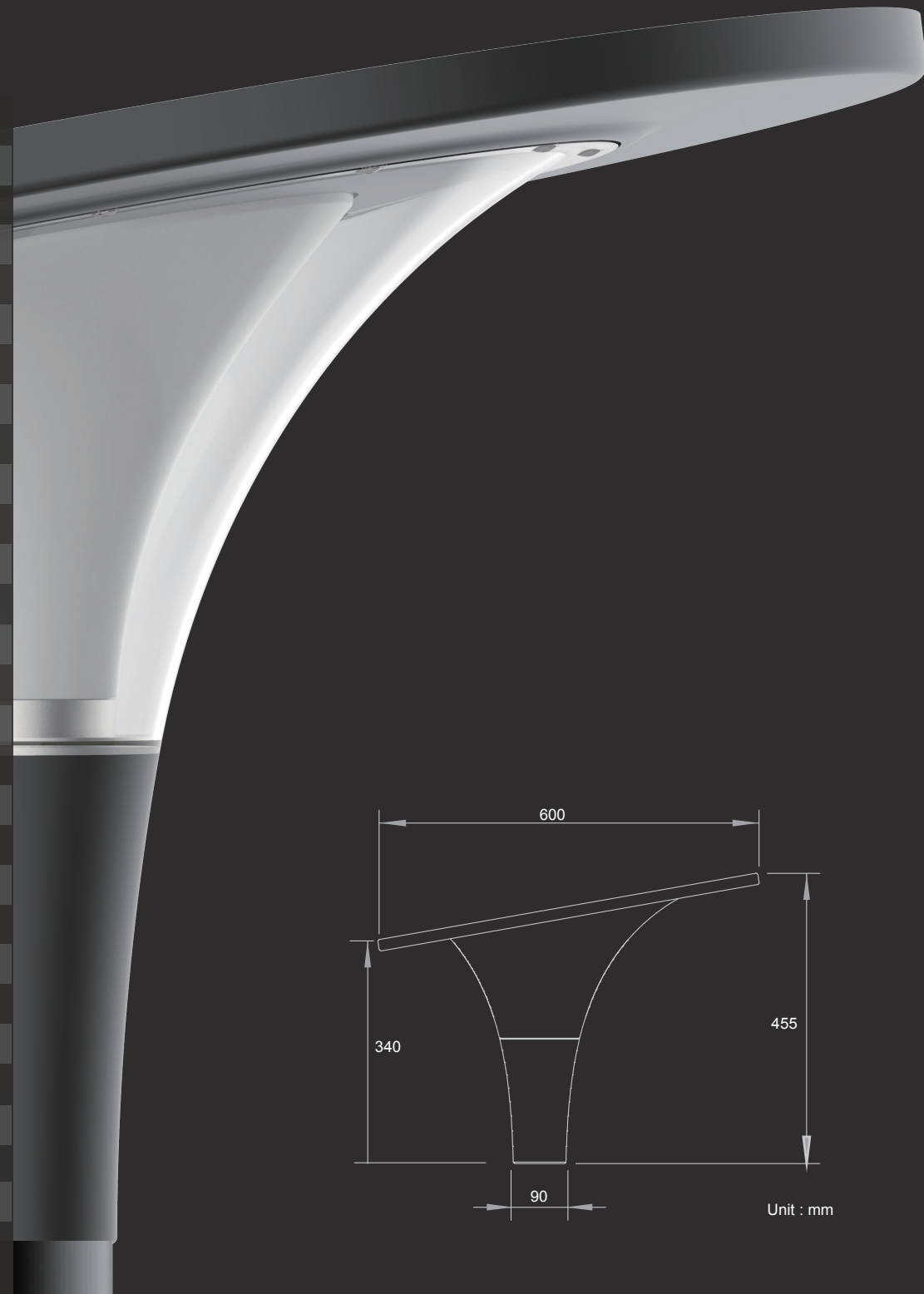
Special customized stainless steel 304 anti-theft screws are used, which are easy to install, stronger, and will not rust.

## 76MM DIAMETER

Suitable for pole diameter 60~76mm. Easy to fix to most sizes of poles by 2pcs of M8 screws.

# Specification

Item number	<b>ATHENA AI-GL600R</b>
Luminous flux	2,800lm max
Peak LED power	18W
CRI	>80
LED type	SMD2835 164pcs
CCT range	Dual color 3000K + 4000K / 3000K + 6000K
Beam angle	150 degrees
Battery capacity	154WH 12.8V
Battery type	Brand new LifePO4 32700 6000mA 3.2V
Battery lifetime	D.O.D 50% 4000 cycles
Charge & discharge time	4 hours & 24 hours
Solar panel	42W 18V MONO crystallinesilicion
Solar Cell Efficiency (%)	>21.5%
Battery autonomy	2-days backup, 3~5 days in motion detection mode
Control method	Automatic dusk to dawn
Solar charge controller	MPPT controller with 2.4G remote
Motion sensor	Microwave sensor
Working temp.	-20 C ~ 70 C
Fixture size	D580*435mm
Fixture materials	Aluminium die casting + Polycarbonate
Fixture color	Black RAL9011 / customized
Pole diameter to fit	76mm
Package size	60*60*26cm
N.W/Light	9.60kg
IP Rate	IP65
Warranty	3 years
Certificates	CB CE ROHS IP65



# Performance

## CHANGE COLOR

The color is switchable between cool white 6000K ( or daylight 4000k) and warm white 3000K. Easy to set by remote as required. Winter with warm white and Summer time with cool white. Creating a comfortable atmosphere freely.

## CHANGE POWER

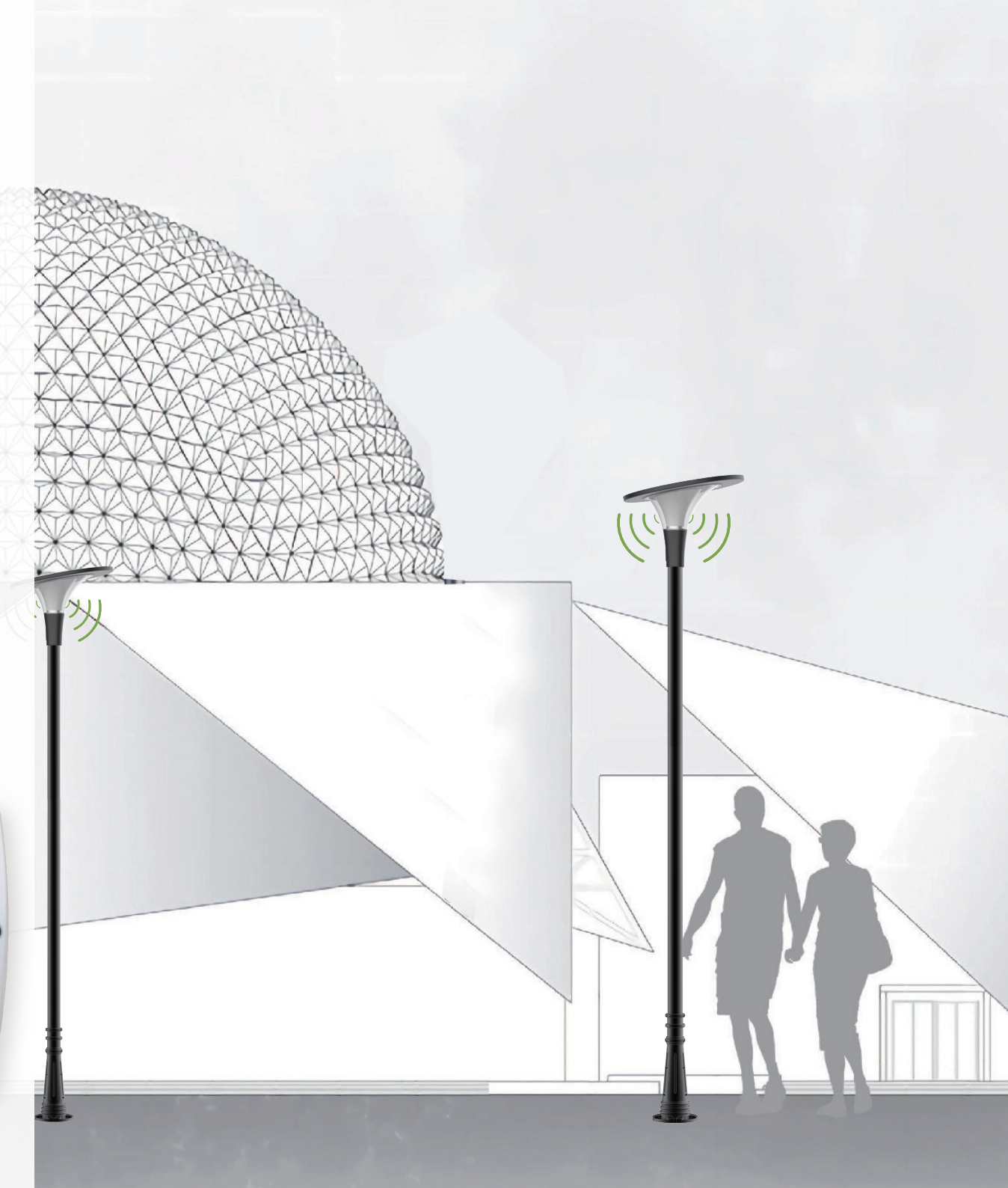
The power is changeable as 20%, 40%, 60%, 80%, and 100% to adjustable according to the local solar radiation to save energy, guaranteeing the lighting service is always there even in very challenging conditions.

## CHANGE MODE

The default setting is continuous lighting with fixed brightness, also motion sensor function is available, The luminaire works with 30% power normally and works with 100% power when the motion sensor is triggered at people come by. Saving more power with longer battery backup.

## CHANGE TIME

Different lighting time durations are available as 4 hours, 6 hours, and 12 hours optional to meet different requirements. This helps to save more energy and extend the lifetime of light as well as more days backup.





## THE ONLY QUALITY Governments Trust

As the most classic model of solar led street light, HERMES is accredited by government customers in many countries.

In Oct 2021, The Chinese Consulate General donates auroras's solar lights to the Iraq government in Erbil. 270 complete sets of Hermes solar street lights 80W are installed on the main road of Erbil city to light up the nights.



## More Products



ATHENA



HELIOS



VENUS



TITAN



SOLARWRAP PV



APOLLO



SOLMATE



ARES