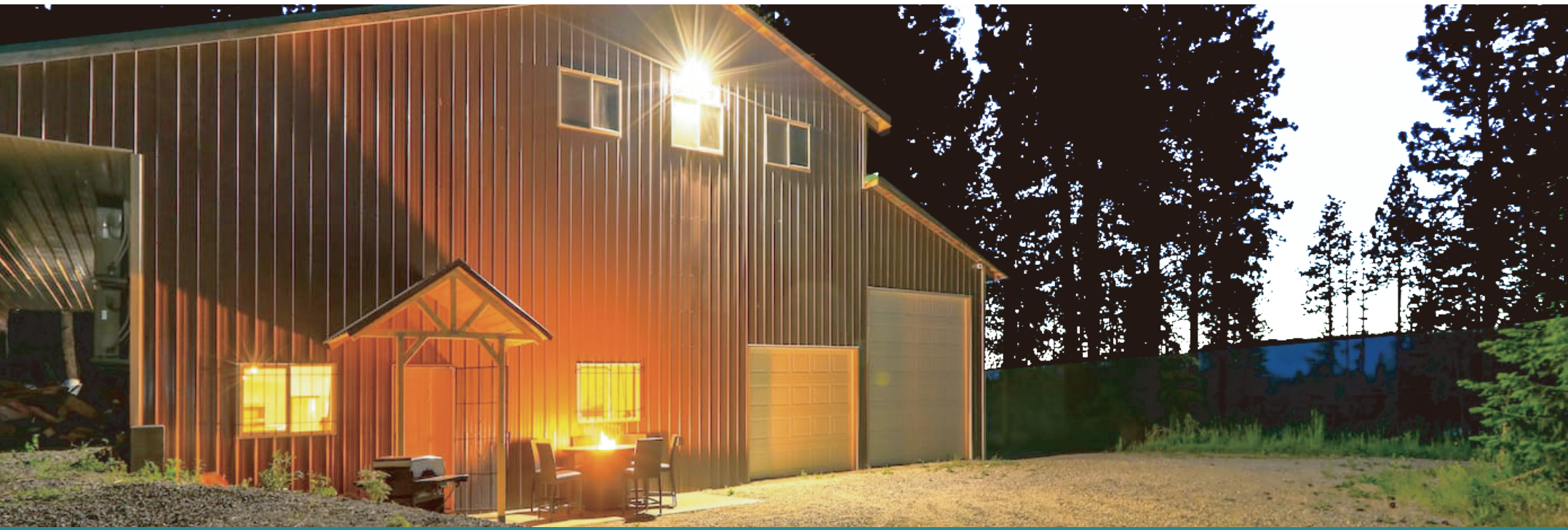


VENUS

SOLAR FLOOD LIGHT
with motion sensor



VENUS

SOLAR FLOOD LIGHT with motion sensor

VENUS solar flood light was developed to satisfy the demand of premium customers who are caring about the quality, not limited the finishing of lights, but also the aesthetic appearance, battery stability, lighting efficiency, also convenient operation, and motion sensor detection.

VENUS solar-led floodlight adopts the latest technology of control system to balance between the solar panel, lithium battery. The brand new lithium battery is built inside to store the energy to extend the light lifetime up to 10 years. The quality solar panel is able to charge the battery well even during very challenging days no matter in cloudy days or wintertime, ensure to provide continuous lighting service without blackout.

Microwave motion sensor function could be turned ON/OFF freely via 2.4G remote control, The popular lighting programs are built in to allow users to select easily, what's more, the light also can work at day time when the battery is charging by the solar panel. One 2.4G remote control would control all the lights in the same group within 20 meters.

VENUS will be the perfect solar light to expand your business.



Main Features

Our research in 2020 has shown all customers positively believe there is a huge demand for a high-quality solar flood light in their local market. More than 90% of customers are unsatisfied with the quality of the existing solar flood lights on the market. The VENUS solar flood light is specially developed with its clear and high-quality positioning to satisfy all the expectations of premium customers. Different from models on market, VENUS solar flood light is making a lot of improvements:

- > Equipped with brand new lifepo4 battery instead of recycled ones from E-vehicles.
- > Equipped with 2.4G remote with 360° signal transmission, more sensitivity and longer distance
- > Equipped with microwave sensor , multi-lighting functions optional.
- > Equipped with the highest lighting efficiency LED chip up to 200lm/w max.
- > Equipped with a separated adapter cable for more easier connection.
- > Equipped with stainless steel ON/OFF button.
- > Improved installation method of solar panel, more user-friendly installation.



Key Components



2.4G remote control

Long distance with 360 degrees signal transmission, one remote can control multi solar lights at same time in same area.



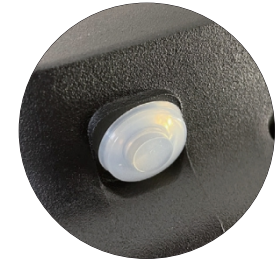
lifepo4 battery

Brand new, ultra long lifetime, big capacity of LifePO4 battery pack is built inside guarantees system to work stably



adapter cable

Individual 4.5 meters cable to connect solar panel and light fixture, It makes the installation more easier and flexible



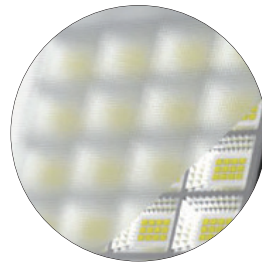
switch button

Stainless steel button with rubber cap covered is adopted for easy operation.



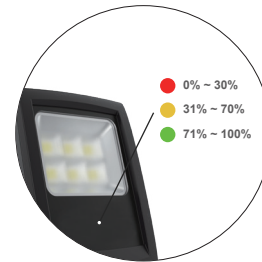
motion sensor

Built in motion sensor program. off+100% power for 1 minute, or 30%+100% power when sensor is triggered.



woven glass

Lighting performance is becoming more uniformed with 4.0mm woven glass, and makes lights look more elegant.



indicator light

Different color of indicator lights shows the rest battery capacity , Convenient for maintenance.



bracket cap

Bracket is stronger with cap ,easy to adjust the angle and more aesthetic.

Detailed Specification



Environmental Protection



Remote Setting



2000 Cycles LifePO4 Battery



Electricity Bills free



High luminous efficiency



30%+100%

Motion Sensor Detection



ON - OFF

Dusk to Dawn Auto ON/OFF



IP 65

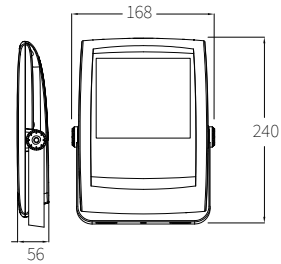
IP65 Waterproof

Model	V2-PRO	V4-PRO	V6-PRO	V8-PRO
Luminous flux (max)	880lm max	1,280lm max	2,480lm max	3,280lm max
Led power (max)	4.8W max	9.0W max	13.5W max	18.5W max
Fixture dimension	240*168*56mm	305*235*56mm	375*275*56mm	375*275*56mm
Solar panel	12W 10V	25W 10V	35W 10V	50W 10V (2pcs of 25w)
Lithium battery	6.4V 38.4WH	6.4V 76.8WH	6.4V 115WH	6.4V 154WH
Fixture color	White / Grey / Black			
Color tempature	3000K / 4000K / 6000K			
Housing material	Aluminium die casting			
Remote control	2.4G radio remote			
Charging time	4.5 hours			
Discharging time	>15 hours			
Working temp.	-15°C ~ +70°C			
Connect cable	4.5 meters			
IP rate	IP65			
Certificates	CE ROHS, CB			
Packing Information				
Carton Size	52*40*38cm	54*40*49cm	64*28*42cm	64*30*42cm
Quantity / Carton	6 sets	4 sets	2 sets	2 sets
Net Weight	17.80kg	18.80kg	14.50kg	16.30kg
Gross Weight	19.20kg	20.30kg	15.60kg	17.80kg
Solar panel+light in one box	Yes	Yes	Yes	Yes

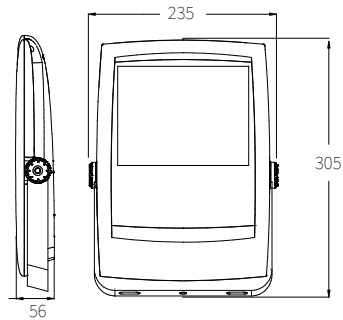
Dimension



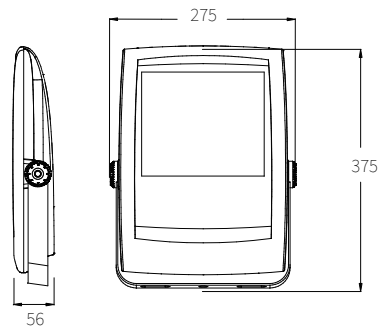
V2-PRO



V4-PRO



V6-PRO



Application

- * Temporary Tent Lighting
- * Pathway Lighting
- * Warehouse Lighting
- * Refugee Tent Lighting
- * Construction Site Lighting
- * Bus Station Lighting
- * Emergency Lighting
- * Garden Lighting
- * Hotel Lighting
- * Horse Stable Lighting



Lighting Area

Model	Luminous flux	Lighting area
V2-PRO	880lm	12 ~ 20 m ²
V4-PRO	1680lm	20 ~ 35 m ²
V6-PRO	2480lm	35 ~ 45 m ²
V8-PRO	3280lm	45 ~ 60 m ²



More
Products



Athena



Helios



Venus



Titan



SolarWrap



Apollo



Solmate



Ares